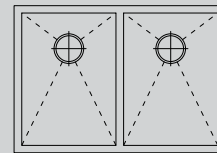


VALLEY

SRR2919A



Right-Angle DOUBLE BOWL

Affordable Luxury

BRAND:
VALLEY

PRODUCT INFO:
Right-Angle DOUBLE BOWL

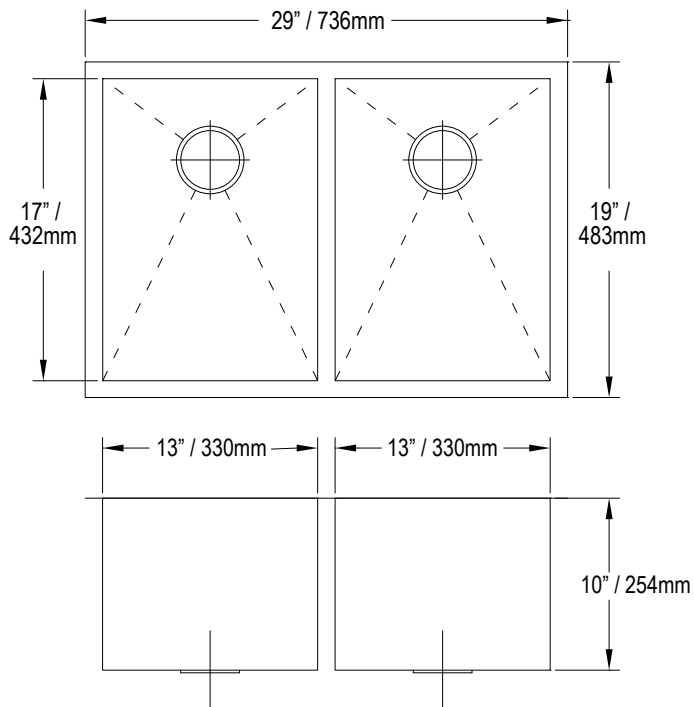
FEATURES:
_ T-304 stainless steel, 16 guage
_ Handcrafted from a panel of stainless steel
_ Sound - deadening insulation
_ Drain groove design



FINISH:
All Satin

MINIMUM CABINET SIZE:
32" / 813mm

DIMENSIONS:
29" x 19" x 10" / 736mm x 483mm x 254mm deep
17" x 13" x 10" / 432mm x 330mm x 254mm bowl



Customer Service Call
Toll Free: 1.877.398.8827
Web Site: www.valleyacrylic.com
Email: purchasing@valleyacrylic.com
Fax: 604.820.0124

All Measurements: +/- 5 mm
(Diagram not to scale)
Complies with CSA Standards